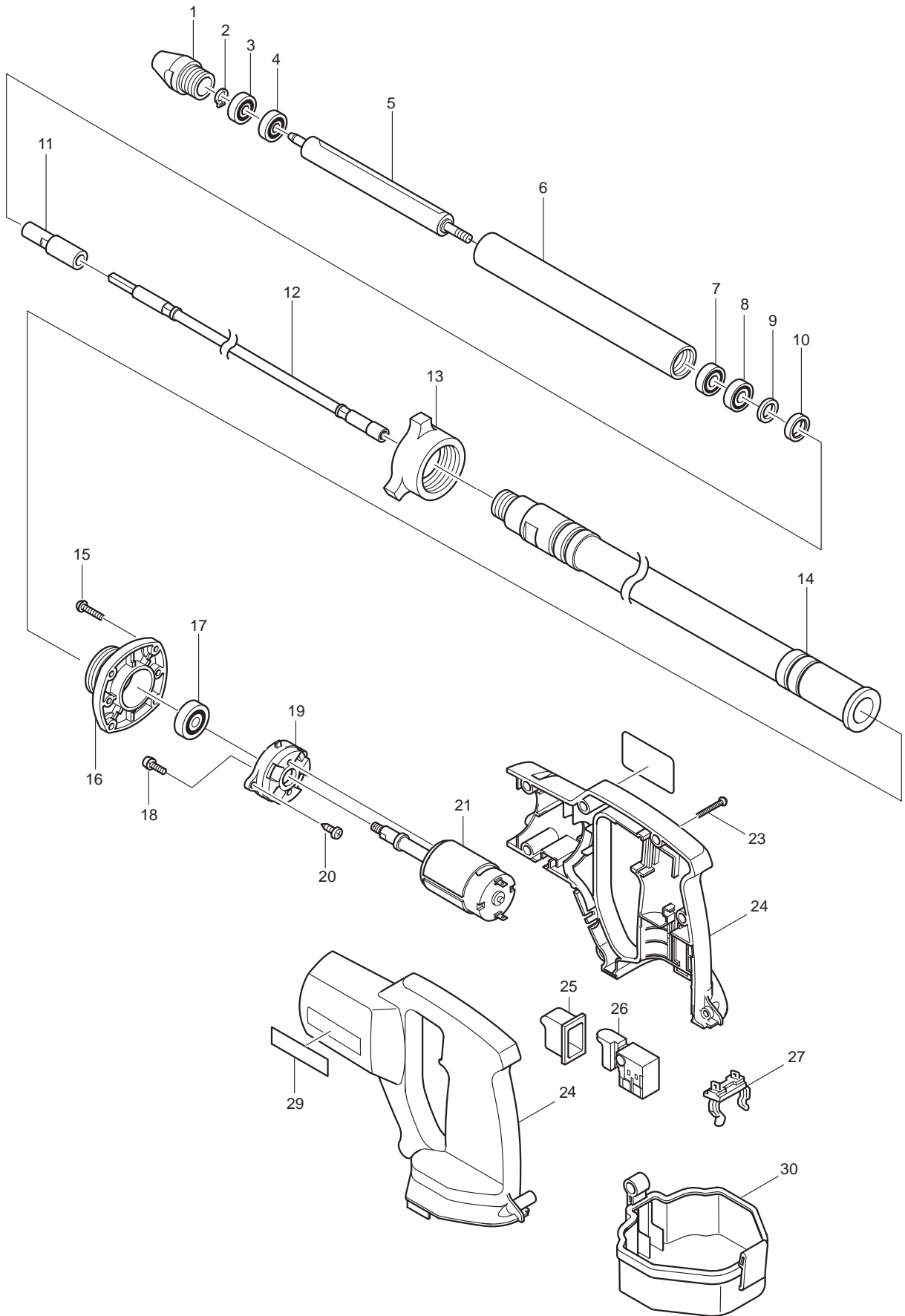




03 - 2010  
VR251DWDE  
12V CONCRETE VIBRATOR KIT



| Item No.                  | Type | Sub  | Part No. | Description                  | Qty | Unit |
|---------------------------|------|------|----------|------------------------------|-----|------|
| 1                         |      |      | 322935-8 | CAP                          | 1   | PC.  |
| 2                         |      |      | 961002-0 | RETAINING RING S-6           | 1   | PC.  |
| 3                         |      |      | 210018-5 | BALL BEARING 626             | 1   | PC.  |
| 4                         |      |      | 210018-5 | BALL BEARING 626             | 1   | PC.  |
| 5                         |      |      | 322934-0 | UNBALANCER                   | 1   | PC.  |
| 6                         |      |      | 331503-6 | PIPE 25                      | 1   | PC.  |
| 7                         |      |      | 211016-2 | BALL BEARING 626LLB          | 1   | PC.  |
| 8                         |      |      | 211016-2 | BALL BEARING 626LLB          | 1   | PC.  |
| 9                         |      |      | 443101-5 | FELT RING                    | 1   | PC.  |
| 10                        |      |      | 421578-4 | RUBBER RING                  | 1   | PC.  |
| 11                        |      |      | 322969-1 | JOINT                        | 1   | PC.  |
| 12                        |      |      | 163420-0 | FLEXIBLE WIRE                | 1   | PC.  |
| 13                        |      |      | 416244-6 | NUT 36                       | 1   | PC.  |
| 14                        |      |      | 163419-5 | FLEXIBLE HOSE                | 1   | PC.  |
| 15                        |      |      | 265995-6 | TAPPING SCREW 4X18           | 4   | PC.  |
| 16                        |      |      | 316893-8 | BEARING BOX                  | 1   | PC.  |
| 17                        | 1    |      | 211056-0 | BALL BEARING 629LLB          | 1   | PC.  |
|                           | 2    |      | 210042-8 | BALL BEARING 629LLB          | 1   | PC.  |
| 18                        |      |      | 911018-5 | PAN HEAD SCREW M3X12         | 2   | PC.  |
| 19                        |      |      | 316892-0 | SUPPORTER                    | 1   | PC.  |
| 20                        |      |      | 266026-4 | TAPPING SCREW BIND CT 4X12   | 2   | PC.  |
| 21                        |      |      | 629713-0 | DC MOTOR                     | 1   | PC.  |
|                           |      | INC. | 322970-6 | SPINDLE                      | 1   | PC.  |
| 23                        |      |      | 265995-6 | TAPPING SCREW 4X18           | 7   | PC.  |
| 24                        |      |      | 182895-4 | HOUSING SET                  | 1   | SET  |
|                           |      | INC. |          | Item No. 28,29               |     |      |
| 25                        |      |      | 421142-1 | SWITCH COVER                 | 1   | PC.  |
| 26                        |      |      | 651259-8 | SWITCH SGE120C-2             | 1   | PC.  |
| 27                        | 1    |      | 643924-3 | BATTERY HOLDER               | 1   | PC.  |
|                           | 2    |      | 643918-8 | BATTERY HOLDER               | 1   | PC.  |
| 29                        |      |      | 819063-3 | MAKITA LABEL                 | 1   | PC.  |
| 30                        |      |      | 150765-5 | COVER COMPLETE               | 1   | PC.  |
| 100                       |      |      | 652008-6 | P.H. SCREW M3.5X7            | 2   | PC.  |
| 101                       |      |      | 654037-5 | INSULATED TERMINAL RBV1.25-3 | 2   | PC.  |
| 200                       |      |      | 655000-B | PLUG FOR CIGARETTE LIGHTER   | 1   | PC.  |
| <b><u>ACCESSORIES</u></b> |      |      |          |                              |     |      |
| A01                       |      |      | 824486-2 | PLASTIC CARRYING CASE        | 1   | PC.  |
|                           |      | INC. | 186347-7 | SLIDE LATCH SET              | 1   | SET  |
| A02                       |      |      | 414938-7 | BATTERY COVER                | 2   | PC.  |
| A03                       |      |      | 193157-5 | 12V NI-MH BATTERY 1234       | 2   | PC.  |
| A04                       |      |      | DC1414   | CHARGER DC1414               | 1   | PC.  |